
DBLT 4W — Secondary Dryer Lint Trap



Table of contents

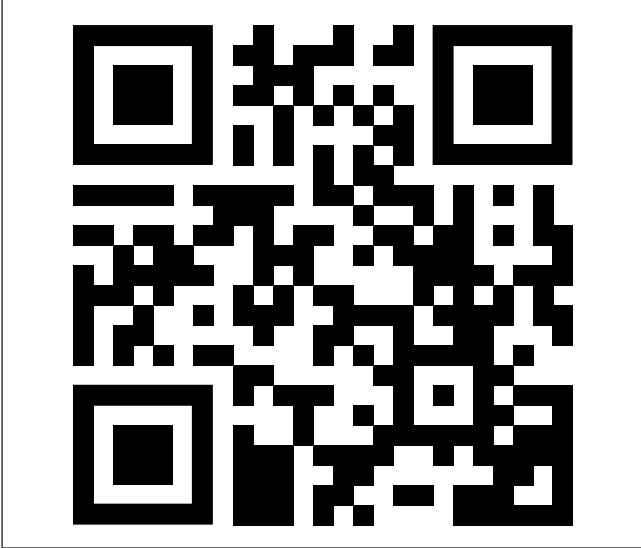
1	Introduction	1
1.1	Product Description	1
1.2	Fantech Warranty	1
2	Safety	1
2.1	Safety definitions	1
3	Installation.....	2
3.1	To Install the DBLT 4W, #46000	2
3.2	To Keep the Screen/Door in Place During the Dryer's Operation	2
4	Maintenance.....	3
4.1	To Maintain the Product	3
5	Technical data.....	4
5.1	Product Dimensions	4

1 Introduction

1.1 Product Description

The DBLT 4W is a secondary dryer lint trap used when installing a Fantech Duct Booster Fan (DBF) less than the recommended distance of 15 ft. (4.6 m.) from the back of the dryer.

1.2 Fantech Warranty



Make a scan of the code above to access Fantech's warranty in English, French, or Spanish. This product has a 1 year warranty.

If additional support is needed to retrieve the warranty, visit fantech.net; call (800) 747-1762 (US), (800) 565-3548 (Canada), or +52 55 1328-7328 (Latin America); email support@fantech.net; or mail us at 10048 Industrial Blvd, Lenexa, KS 66215 United States or at 50 Kanalfläkt Way, Bouctouche, NB E4S 3M5 Canada.

2 Safety

2.1 Safety definitions

Warnings, cautions and notes are used to point out specially important parts of the manual.

	Warning If you do not obey these instructions, there is a risk of death or injury.
	Caution If you do not obey these instructions, there is a risk of damage to the product, other materials or the adjacent area.
Note: Information that is necessary in a given situation.	

3 Installation

3.1 To Install the DBLT 4W, #46000



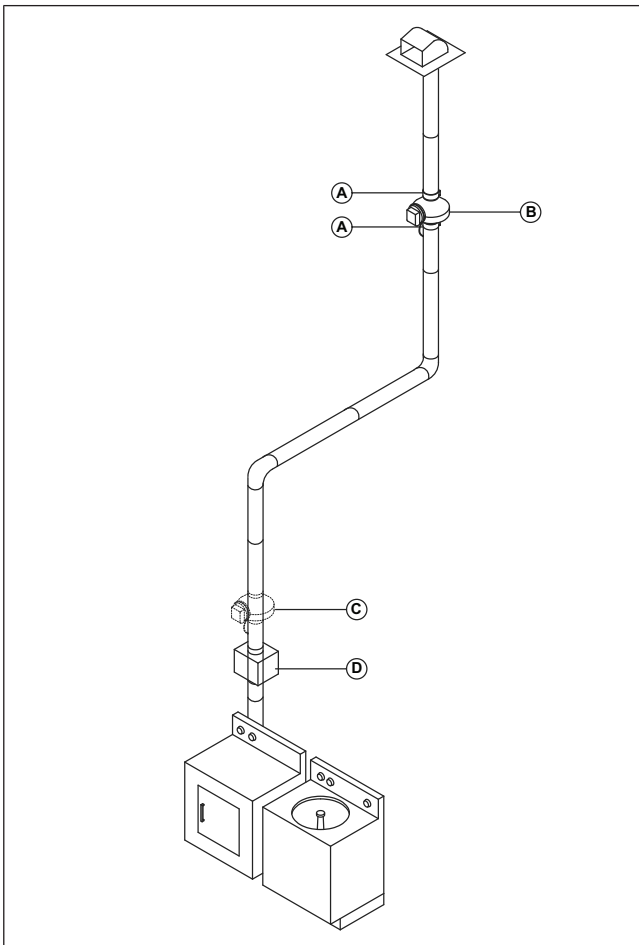
Warning

Do not use this product with a gas-powered dryer.

Note:

Fantech recommends to install this product in the dryer duct above the dryer. Refer to the figure within this section.

- 1 Install the product so that the user can easily get to it.
- 2 Before operating the dryer, inspect the duct for lint. If lint exists, remove it.



- A. FC Mounting Clamps (optional)
- B. Duct Booster Fan (DBF) or DEDPV
- C. Alternation location for DBF or DEDPV
- D. DBLT 4W, #46000

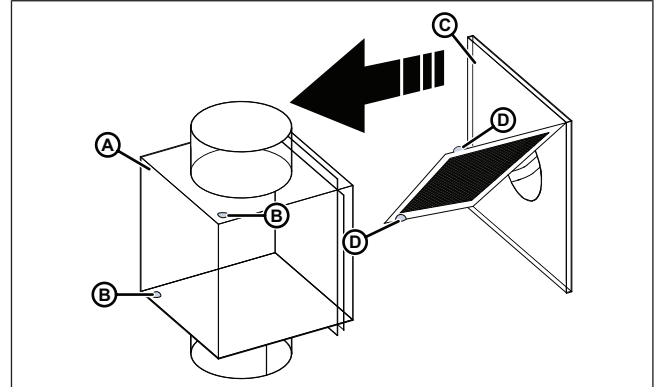
3.2 To Keep the Screen/Door in Place During the Dryer's Operation



Caution

Do this test over a soft surface. Not doing so can cause damage to the product.

- 1 To keep the door in position during dryer operation, attach the nodes on the door to the nodes inside the lint trap box.



- A. DBLT 4W, #46000
 - B. Nodes
 - C. Cover
 - D. Door nodes
- 2 To test that the nodes are tightly attached together, hold the product by the door handle, and lightly shake the product.
 - 3 If the product stays together, no other action is needed. If not, repeat the test.

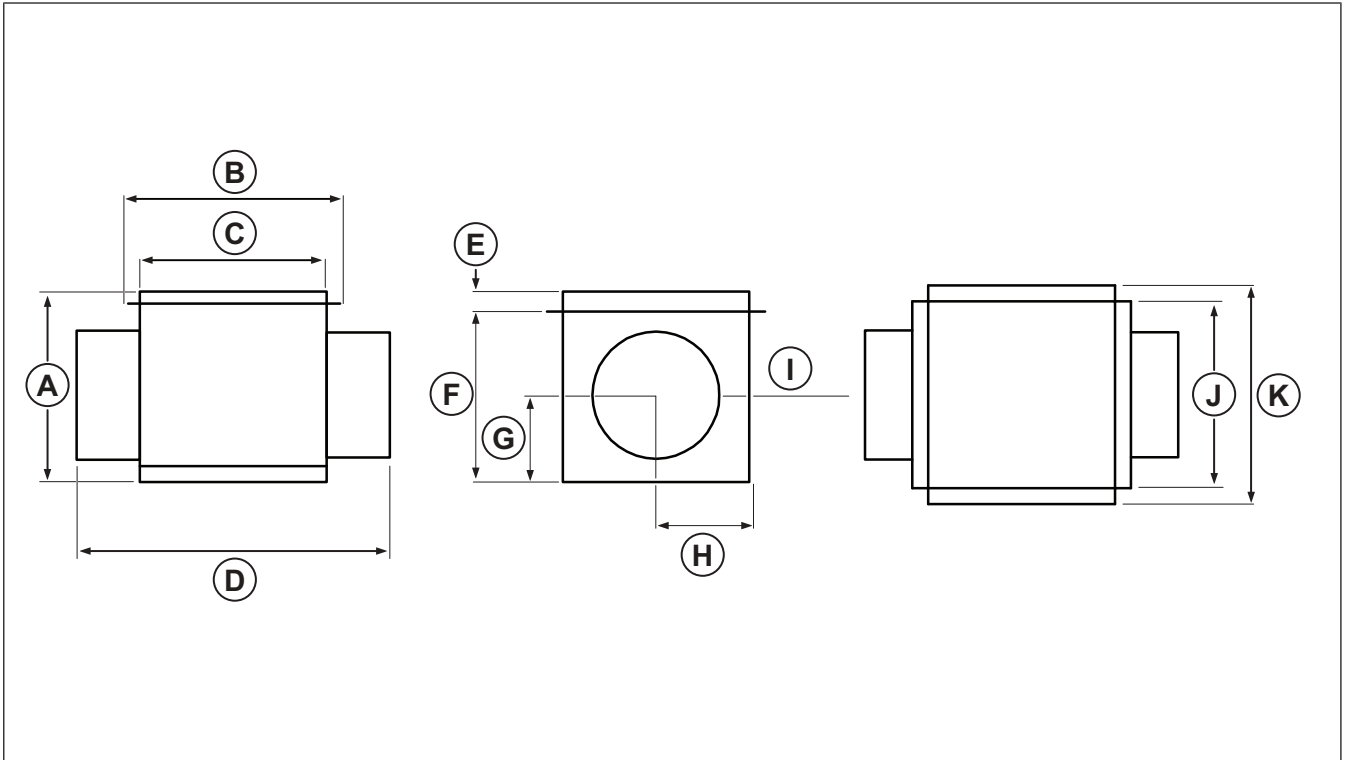
4 Maintenance

4.1 To Maintain the Product

- 1 Check for lint to keep the screen clean.
- 2 If necessary, remove the lint from the screen.

5 Technical data

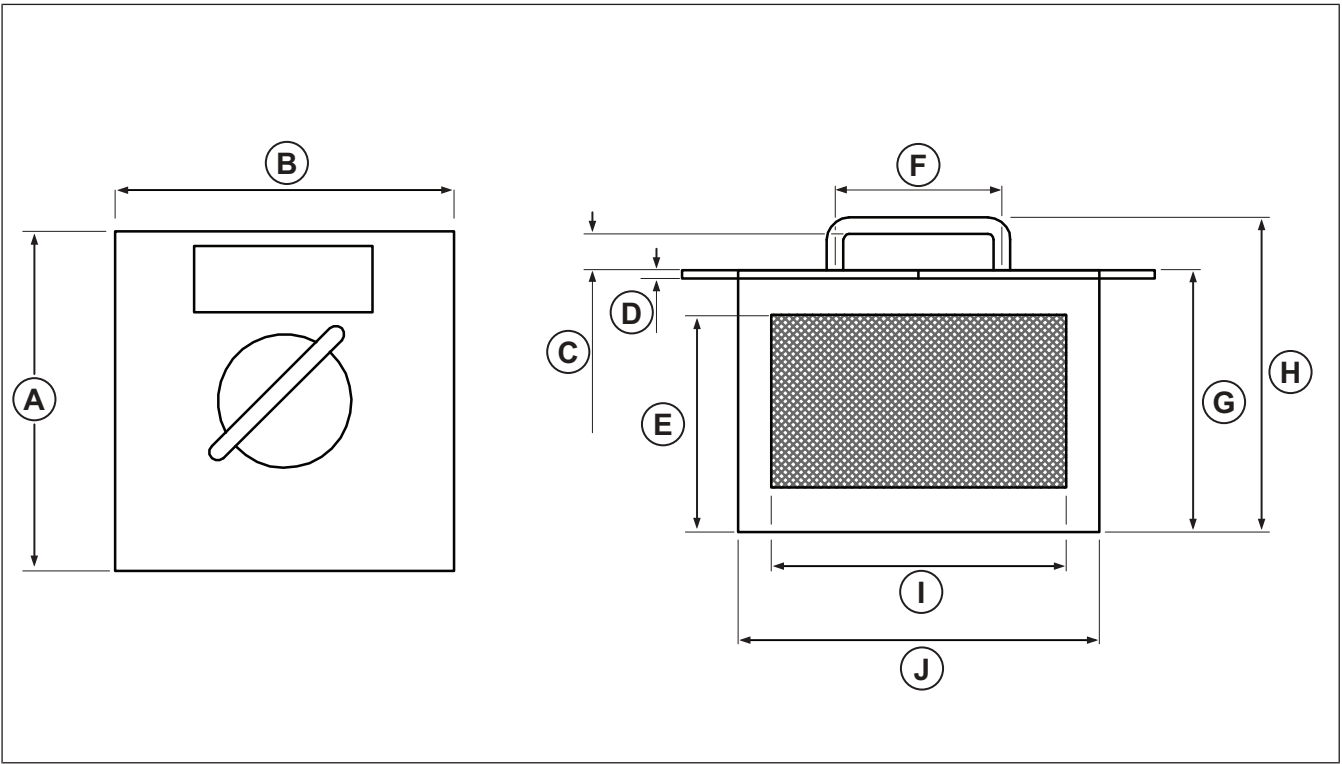
5.1 Product Dimensions



Note:

Dimensions are given in inches.

	A	B	C	D	E	F	G	H	I	J	K
DBLT 4W, #46000 Casing	6	6 7/8	5 7/8	9 7/8	5/8	5 3/8	2 3/4	3 1/16	Ø 4 1/16 In-let — Ø 3 7/8 Out-let	5 7/8	6 7/8



	A	B	C	D	E	F	G	H	I	J
DBLT 4W, #46000 Door/ Screen	7 5/8	7 5/8	13/16	3/16	3 7/8	3 3/4	5 7/8	7 1/16	6 5/8	8 1/8



fantech[®]
a systemair company

USA

(800) 747 1762

support@fantech.net

Canada

(800) 565 3548

support@fantech.net

Latin America

+52 55 1328 7328

support@fantech.net

© Copyright Fantech

All rights reserved

Fantech reserves the rights to alter their products without notice. This also applies to products already ordered, as long as it does not affect the previously agreed specifications.